

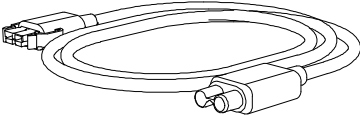
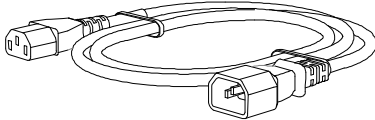
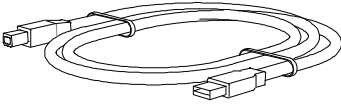



by Schneider Electric

# Quick Start Guide APC Charge Mobile Power Supply for Surface Hub 2 - CSH2

## Package Contents

Inspect the contents of the APC Charge Mobile Power Supply for Surface Hub 2 (APC Charge) upon receipt. Notify the carrier and dealer if the unit is damaged.

<p>DC cable</p> 	<p>AC pass through cable</p> 
<p>USB cable</p> 	<p>Hex screws x4</p>  <p><b>Note:</b> Use 4 mm Allen key to assemble the APC Charge. The key is available in the Roam Mobile Stand package.</p>

**Note:** Use the AC power cord supplied with Surface Hub 2 to connect APC Charge to AC power.

# Installation

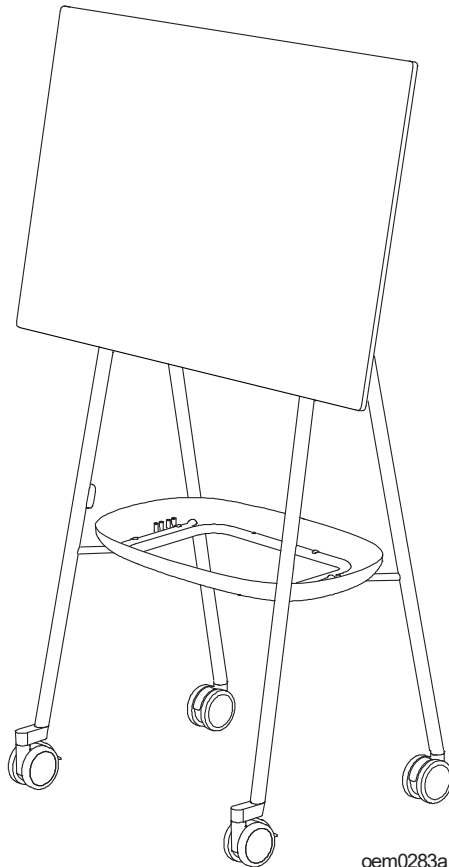
## NOTICE

### RISK OF FALLING EQUIPMENT

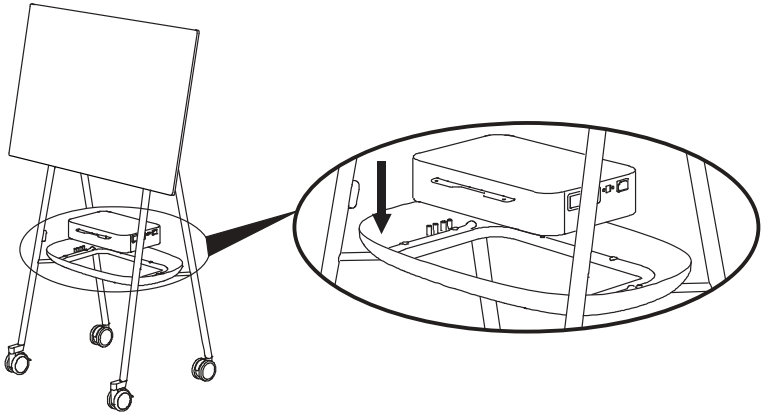
- Follow the installation instructions.
- Secure the APC Charge in the tray using all of the screws supplied for this purpose.

**Failure to follow these instructions could result in equipment damage.**

1



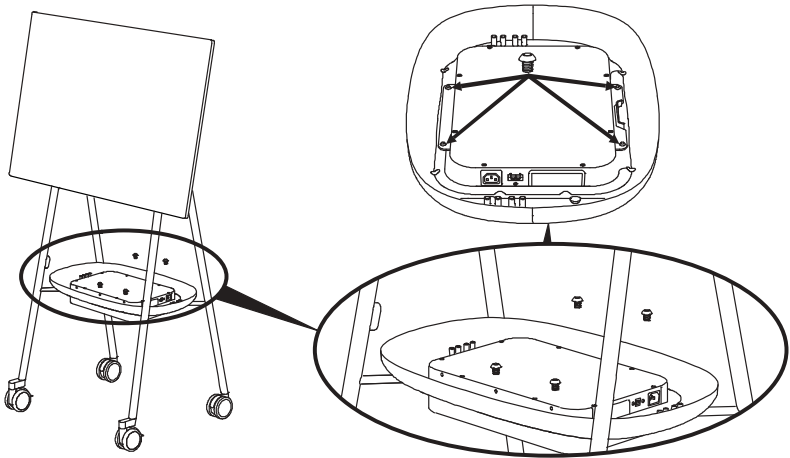
2



oem0281a

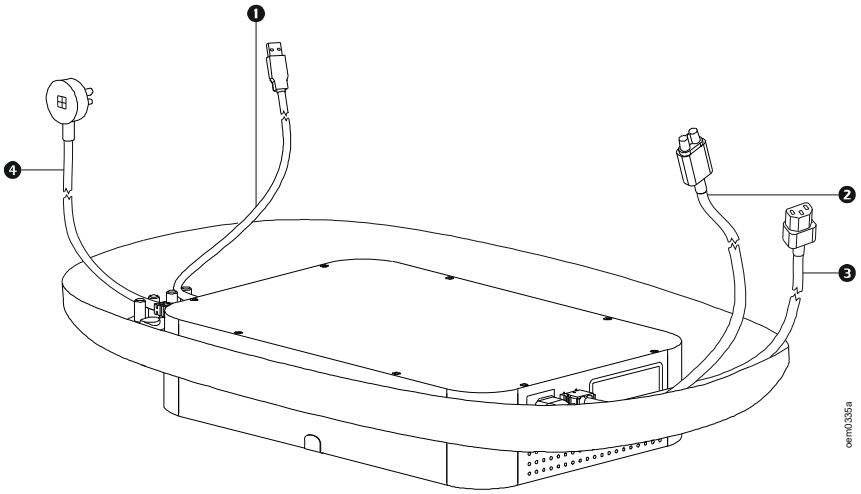
3

Secure the APC Charge to the Hub using 4 hex screws.

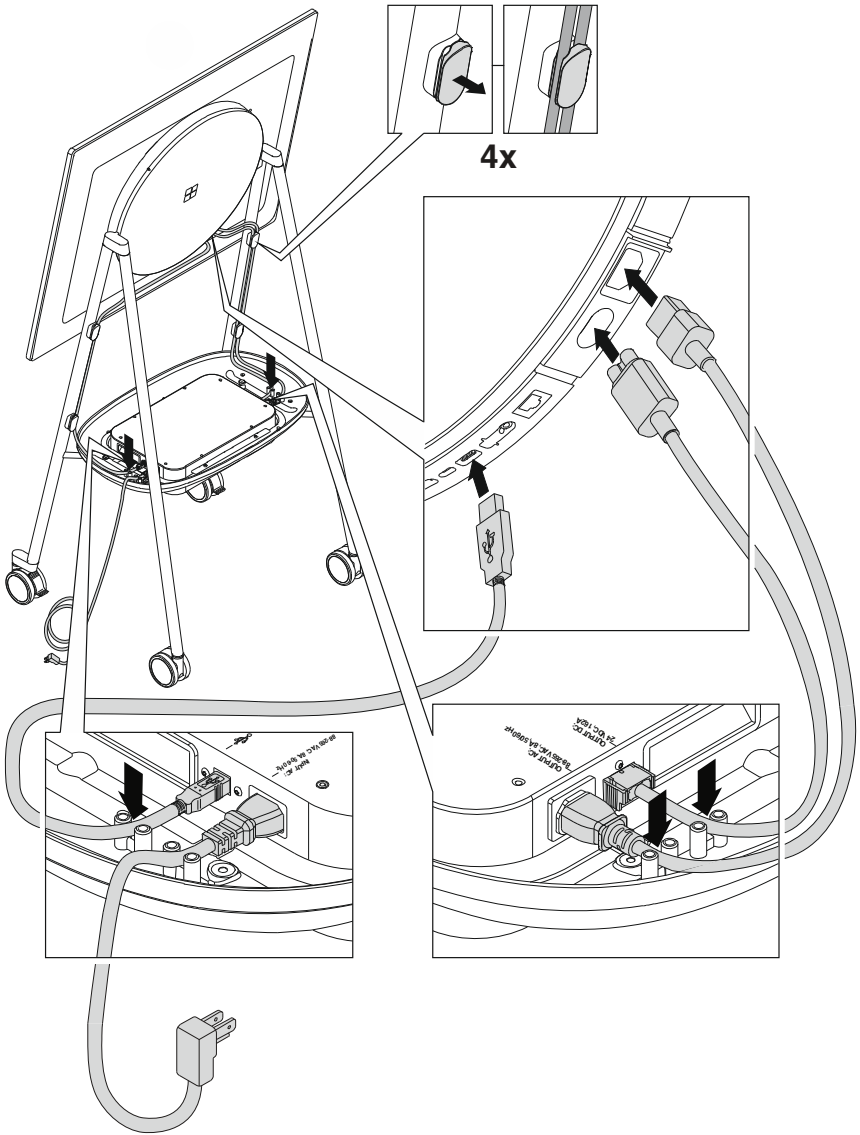


oem0282a

## Input/Output connections



❶	USB cable for onscreen battery display
❷	DC cable for on battery operation
❸	AC Pass Through cable for normal operation
❹	AC Power Cord (supplied with Surface Hub 2)

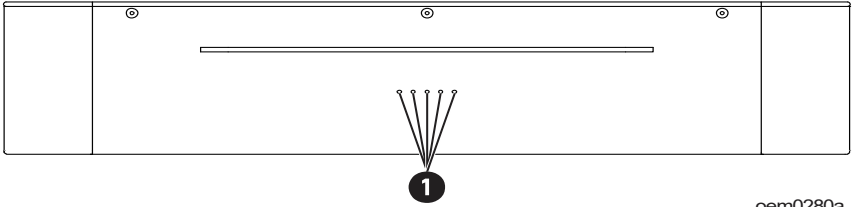


# Panel Features

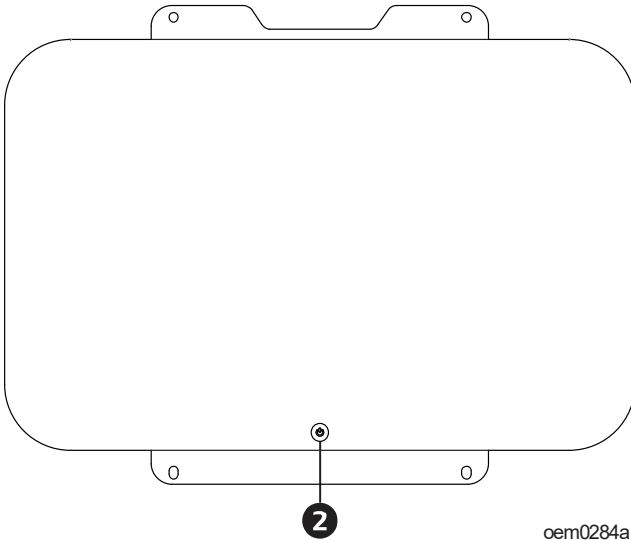
**Note:** Refer to the table “Key To Identify Front Panel Features” on page 7, that provides a key to the callout numbers for the panel graphics depicted in this manual.

## Status LEDs: 1, 2, 3, 4 and 5

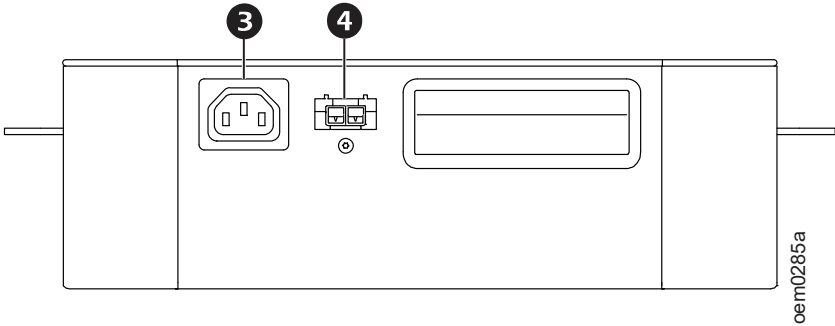
(Starting from left when facing LEDs on the unit)



## ON/OFF button

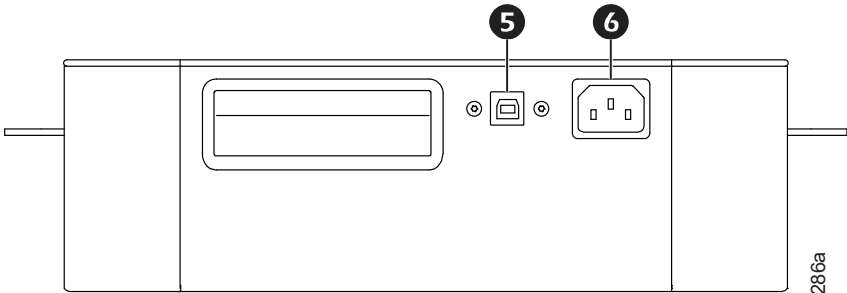


### Side panel features 1



oem0285a

### Side panel feature 2



oem0286a

### Key To Identify Front Panel Features

1	Status LEDs	<p>The 5 status LEDs indicate the state of charge in the following manner:</p> <ul style="list-style-type: none"> <li>• 0-20%</li> <li>• 21%-40%</li> <li>• 41%-60%</li> <li>• 61%-80%</li> <li>• 81%-100%</li> </ul> <p>The LED1 turns red to indicate low battery of less than 12.5% state of charge.</p>
2	ON/OFF button	See “Power On/Off functionality” in the user manual for details.
3	AC Output Connector	IEC 60320 C13
4	DC Output Connector	This connector provides regulated 24 VDC output.
5	USB port Type B	Use USB type B port for Battery parameters through Human Interface Device (HID).
6	AC Input Connector	IEC 60320 C14

## Initial Charging

Connect the APC Charge to the AC Mains outlet for 2 hours, for charging the APC Charge, before turning it ON for the first time.

Upon receipt, connect the APC Charge to an AC Mains outlet for 2 hours to fully charge it.

**Note:** The APC Charge should be charged once every 20 days when not in use.

## User Documentation Link

For more details, refer the link to access the user documentation:

<https://d.go2se.com/csh2>

